

Burns and Ferrall Locations

AUCKLAND
12 Reg Savory Place
East Tamaki, Auckland

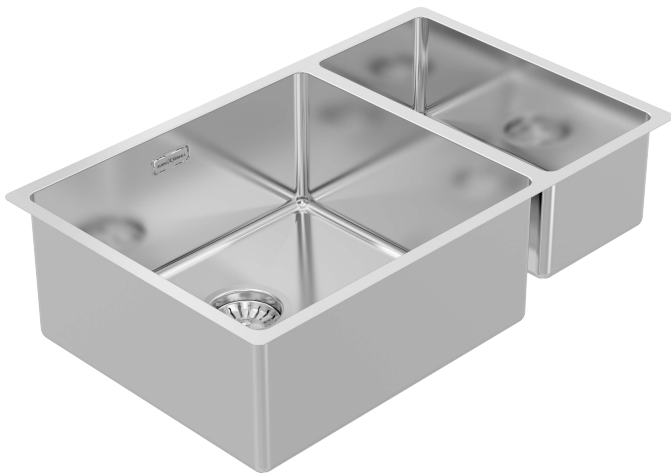
0800 697 465

WELLINGTON
122-124 Tory Street
Te Aro

HAMILTON
60 Alexandra Street
Central

CHRISTCHURCH
345 St Asaph Street
Christchurch

Product Specification Sheet BDM450DLH



R15 Fabricated Double Bowl

B&F 450 + 200 Double Bowl

Model
BDM450DLH

Corner Radius
15mm

Overall Dimensions W x D
715 x 440mm

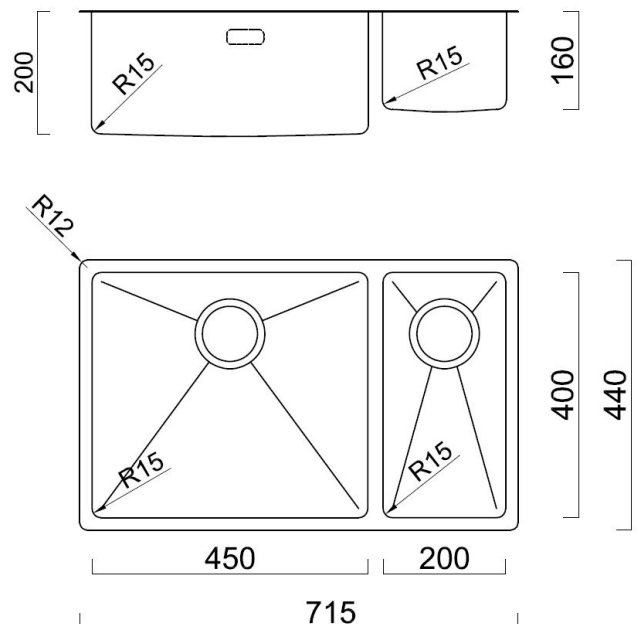
Waste
90mm (x2)

Bowl Dimensions W x D x H
450 x 400 x 200mm
200 x 400 x 160mm

Designer Overflow
(Main Bowl Only)

Minimum Cabinet Size
800mm

Material & Finish
1.0mm Satin Stainless Steel



Accessories Available (optional)



BFDCB15
CHOPPING BOARD
430 X 370mm



BFDDB
DRAINING BASKET
390 X 325mm



BFDDT15
DRAINING TRAY
425 X 360mm



BFDRMB
ROLLER MAT
480 X 450mm



BFDCO
COLANDER
430 X 185mm

E&OE – it is recommended all measurements are taken directly from the product. Specification subject to change without notice, always consult the literature supplied with the product. Coloured images are indicative only.